



DOOR CLOSERS **.37**



E N G L I S H







**Door closers**

<b>IS9100</b>	7-10	<b>IS310</b>	7-22
<b>BCS2000</b>	7-12	<b>IS155C</b>	7-24
<b>FL96 EVO</b>	7-14	<b>IS115</b>	7-24
<b>SL2000</b>	7-16	<b>IS110</b>	7-26
<b>SP81</b>	7-18	<b>IS65</b>	7-28
<b>DS90</b>	7-19	<b>IS60</b>	7-30
<b>IS315</b>	7-20	<b>IS20</b>	7-32





## What is the CE marking?

---

The CE marking on a product signifies that the manufacturer will have fulfilled all the essential requirements as listed by all the EU Directives and EU Regulations applicable to the product.

The CE marking is issued by notified bodies.

### **The CE marking:**

- according to CRP Regulation, is mandatory on controlled door closing devices (EN1154), door coordinator devices (EN1158), electrically powered hold-open devices (EN1155) suitable for fire resisting and/or smoke control doorsets;
- guarantees that the product can be freely circulated in the European market;
- indicates that the product conforms to all the essential requirements of the applicable harmonized standards.

It is mandatory to place this distinctive mark on the product, the instruction sheet and the packaging..

The CE certificate of constancy of performance issued by a Notified Body guarantee that all the initial type tests (mechanical, environmental, fire) and the production system meet the European harmonized standards.

The manufacturer draws up the Declaration of Performance (DoP) based on the certificate of constancy of performance issued by a Notified Body.



## EN1154 in a few words

The harmonised standard reference is EN 1154:1996/A1:2002/AC:2006, and is harmonised with EU Regulation 305/2011 CPR.

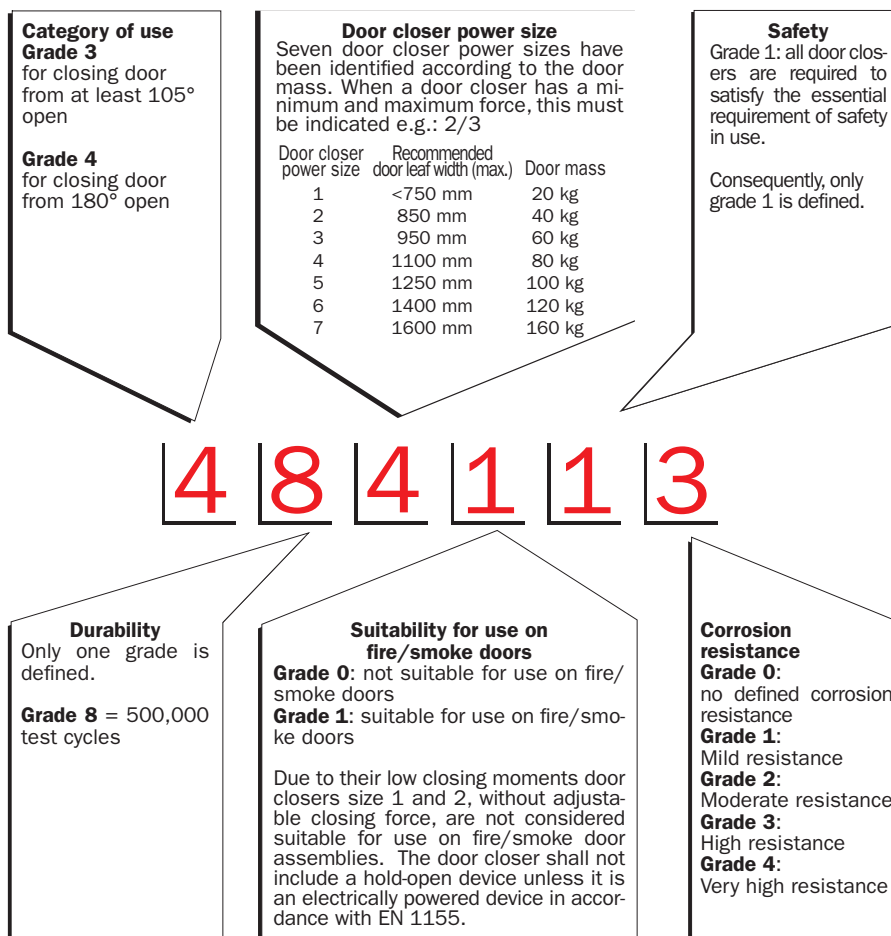
The EN1154 supersedes any other national standards.

The EN1154 specifies requirements for controlled door closing devices for swing doors, such devices being mounted on or in the frame, on or in the door, or in the floor.

The scope is limited to manually operated door closing devices where the energy for closing is generated by the user upon opening the door, such that when the door is released, it returns to a closed position, in a controlled manner.

Devices such as spring hinges, which do not exert a checking control during door closing, are outside the scope of this standard.

## EN1154 classification





## CE Marking on fire resisting and/or smoke control doorsets

---

From 1 November 2019 it is mandatory to place the CE mark on external pedestrian doors with fire / smoke resistance characteristics in accordance with EU Regulation 305/2011 (CPR) and harmonised standards EN16034:2014 and EN14351-1:2006+A2:2016. Pedestrian interior doors, on the other hand, are still subject to type-approval as EN 14351-2:2018 has not yet been defined.

EN14351-1 defines an “external pedestrian door” as the door used exclusively for the passage of people that separates the external climate<sup>1</sup> from the internal climate of a building. Therefore also the doors that separate air-conditioned rooms from non air-conditioned rooms can be defined as external doors, in addition to those that separate a room from the outside of a building.

It is the responsibility of the building designer to define and indicate which doors are external and which are internal.

For CE marked doors, the manufacturer shall therefore declare in the DoP the following essential requirements for the fire-resistant/smoke-resistant door:

**Resistance to fire (EI/EW):** is the capability of the products to provide “integrity” (E), and “insulation” (I) or “radiation” (W) followed by the minutes for which the requirement is satisfied (e.g. EI90 means that the doorset maintains fire resistance for at least 90 minutes)

**Smoke resistance (S):** is the capability of the products to prevent smoke leakage at a given temperature (e.g. S<sub>200</sub> means that the doorset maintains smoke resistance requirements until 200°C, S<sub>a</sub> means ambient temperature)

**Ability to release and durability:** is the ability to release of the hold open device of a doorset and/or openable window to ensure reliable closing of the doorset and from a defined position

**Ability of self-closing and durability:** is the ability of an open doorset to close fully into its frame and engage any latching device that may be fitted, without human intervention, by stored energy, or by mains power backed up by stored energy in case of power failure.

### Hardware for fire resisting and/or smoke control doorsets

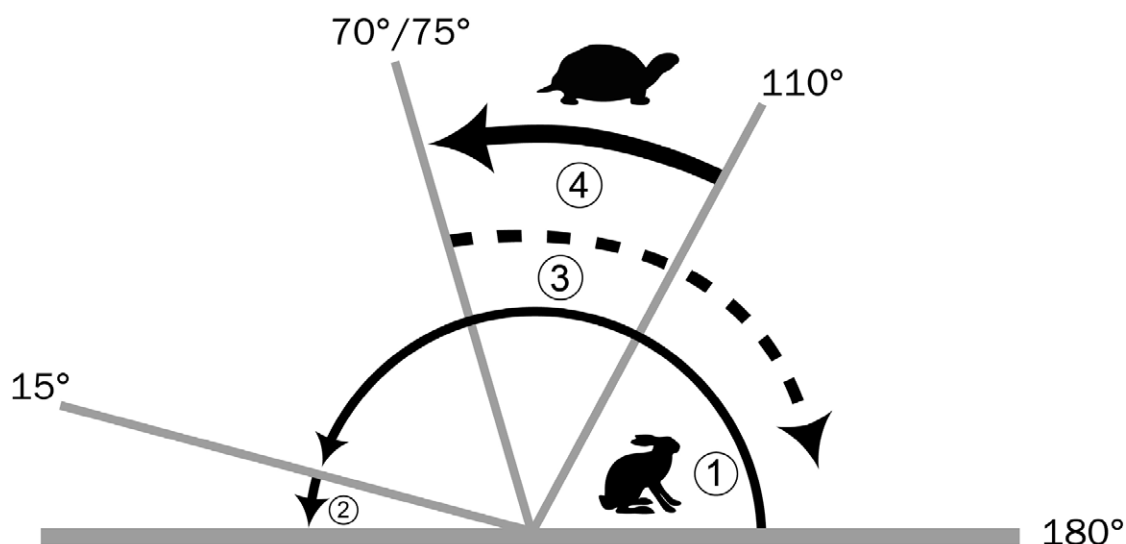
The EN16034 refers to the following standards:

- EN 15269 EXAP (EXtended APplication) series used by Notified Bodies to extend the test results to other doorsets configurations.
- EN 16035 Hardware performance sheet (HPS). Identification and summary of test evidence to facilitate the inter-changeability of building hardware for application to fire resisting and/or smoke control doorsets and/or openable windows

The EN16035 requires that each family of hardware is accompanied by a document called “HPS - Hardware Performance Sheet”. The HPS is like a “hardware identity card”, and contains information required by the Notified Body that, by using EXAP can approve hardware for different types of fire resisting and/or smoke control doorsets.

## Adjustment available according to the door closer

---



### 1. Closing speed adjustment

---

This adjustment performs from the maximum opening range up to the last 15 degrees. It adjusts the closing speed of the door in the above described range.

### 2. Latching action

---

This adjustment performs during the final 15 degrees of closing action. The final latching allows the door to close quickly, firmly or smoothly.

### 3. Adjustable backcheck

---

This adjustment starts from 70°. It allows hydraulic slowing down of the door when it is opened. It is possible to set the reduction rate as required.

This adjustment is mainly used on doors that open outwards (e.g. emergency exits, etc).

## **Adjustments available according to the door closer**

---

### **4. Adjustable delayed closing action**

---

This adjustment performs within a range from minimum opening angle of 90° to 75°. It allows the door closing to be delayed. It is possible to set a delay of 90 seconds from 90° to 75° for example.

### **5. Closing force adjustment**

---

This adjustment is not represented in the drawing on the previous page. However it allows you to adjust the closing force according to the door requirements. This adjustment can be achieved in two different ways:

- adjustment screw
- moving the body or the arm position



**IS9100**

Code  
Single package  
Multiple package  
Min. ord.



**TOP QUALITY**

**For doors up to 1100 mm in width and 160 kg in weight\*.**

For internal doors and doors opening outwards (single action door, non handed).

<b>Drive Unit IS9100 (without cover and arm)</b>	<b>379210003</b>	1	-	1
<b>ARMS AND ACCESSORIES</b>				
<b>Single cover</b>	<b>379510003</b>	1	-	1
<b>Standard arm</b>	<b>379300003</b>	1	-	1
<b>Sliding arm</b>	<b>379350003</b>	1	-	1
<b>Axle extension 30 mm</b>	<b>379014303</b>	1	-	1
<b>Axle extension 60 mm</b>	<b>379014603</b>	1	-	1
<b>Upgrade card "full energy"</b>	<b>37901600A</b>	1	-	1

**TECHNICAL SPECIFICATIONS**

<b>Application conditions</b>	- Ambient temperature: -15°C +50°C - Air humidity max. 93 % non-condensing - Power supply: 230 Vac +10%/-15%, 50/60Hz - Protection grade: IP 20
<b>Max. power input</b>	120 Watt
<b>Closing force EN1154</b>	EN2-4 adjustable (also after installation)
<b>* Max. door panel weight</b>	120kg or 160kg with upgrade card "Full Energy" depending on the door panel width.
<b>Door panel width</b>	700 – 1100 mm
<b>Min. clearance between the hinges of the 2 door panels</b>	1500 mm
<b>Max. lintel depth with standard arm</b>	Up to 225 mm
<b>Device weight</b>	12 kg
<b>Power supply for external devices</b>	24 Vdc +/-5%, 1,5 A
<b>Door opening angle</b>	Max 110°, depending on the type of installation
<b>Fuse on power supply (not included)</b>	16 A
<b>Noise during operation</b>	Max 50 dB
<b>Software (Firmware)</b>	On-site upgrading
<b>Signalling</b>	- Leds: green, red, yellow - Display for programming
<b>Advanced features</b>	- Temperature related overload protection - Driving speed automatic optimization
<b>Dimensions (LxHxD)</b>	685 x 70 x 130 mm

## IS9100

### Application:

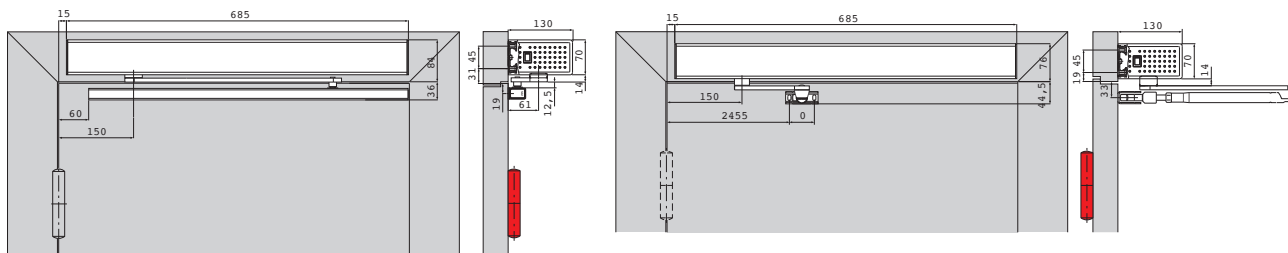
Drive IS9100 is an electromechanical swing door operator for single or double leaves doors. It can be installed both on new and existing doors. It can be operated in 2 modes: automatic swing door operator mode (i.e. opening after a pulse generated by motion sensor or pushbutton) and manual opening mode (i.e. the device is used as a traditional door closer). Drive is equipped either with a sliding arm for the installation on pull side or with a standard arm for the installation on push side with lintel depth of 225 mm maximum.

An integrated internal selector allows to easily set 4 different functions:

- Off;
- Automatic;
- Permanent opening;
- Exit only.

In case of power failure, the device works like a simple door closer.

With the manual opening mode, the function "power assist" allows to make the opening more comfortable.



Technical drawings available in the instruction manual

### Installation/Arm configuration:

Sliding arm: pull side

Sliding arm: push side (not suitable for fire resistant doors)

Standard arm: push side

Standard axle extension 9 mm (included)

### Features:

- Speed adjustment.
- Hold open door adjustment.
- Safety sensor management
- Lock open input management
- Latching action adjustment
- Function "Push & Go"
- Emergency opening or closing programmable (Fail Safe or Fail Secure)
- Force adjustment from 2 to 4 according to standard EN1154
- Opening angle adjustment: until 110°
- Low noise functioning (<50dB)
- Temperature overload protection
- Wind impact automatic adaptation
- Integrated in Iseo Access Control Systems
- 1 year warranty.

### CONNECTIONS:

#### INPUTS:

1. Connecting terminals: max 1.5 mm<sup>2</sup>
2. Potential-free activator: internal and external (NO contact)
3. Powered activator (intercom, key switch,...):  
- 8 – 24 Vdc/Vac + 5%  
- NO contact/NC contact
4. Safety Sensor (intercom, key switch,...):  
- hinge side and opposite hinge side (NC contact)
5. Test signal for safety sensor: hinge side and opposite hinge side
6. Shutdown drive function: NC contact/NO contact

#### OUTPUTS:

1. Connecting terminals: max 1.5 mm<sup>2</sup>
2. Potential-free status contact (relais):  
Programmable  
- Door closed  
- Door open  
- Error  
- Door closed and locked



**BCS2000**

Code  
Single package  
Multiple package  
Min. ord.



**TOP QUALITY**

Can be fitted to all types of doors, up to **120 kg in weight and 1250 mm in width.**

Minimum door closer adjustments: closing speed, relocking or silent closing, backcheck, delayed closing action.

**BCS2000/1 for single leaf:**

<b>BCS2000/1 with door closer IS65 force 3</b> (for a leaf width up to 950mm)	<b>380302N3</b>	1	-	1
<b>BCS2000/1 with door closer IS315 force 3-5</b> (for a leaf width up to 1250mm)	<b>380302N5</b>	1	-	1

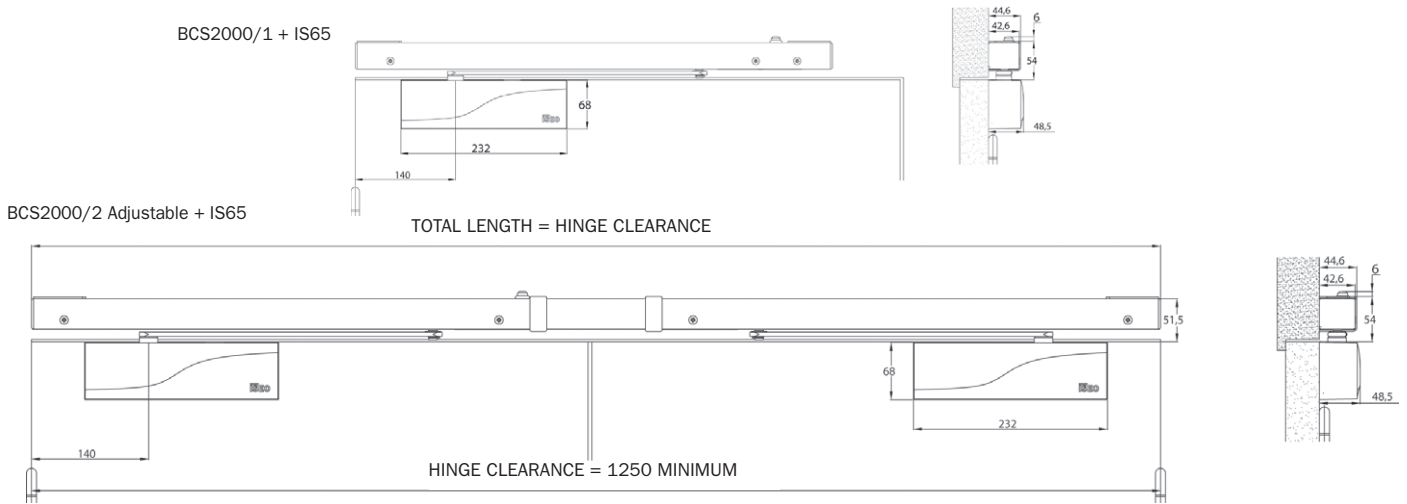
**BCS2000/2 adjustable per double leaves:**

<b>BCS2000/2 with door closer IS65 force 3</b> (for leaves width up to 950mm)	<b>380310N3</b>	1	-	1
<b>BCS2000/2 with door closer IS315 force 3-5</b> (for leaves width up to 1250mm)	<b>380310N5</b>	1	-	1

**TECHNICAL SPECIFICATIONS**

<b>Force of door closer</b>	Depending on article, either force 3 or force 3-5
<b>Valve 1 (on door closer)</b>	Thermo-constant closing speed
<b>Valve 2 (on door closer)</b>	Relocking
<b>Valve 3 (on door closer)</b>	Backcheck (only with IS315)
<b>Valve 4 (on door closer)</b>	Delayed closing action (only with IS315)
<b>Compliance EN1155</b>	3 5 3-5 1 1 3
<b>Compliance EN1154</b>	3 8 3-5 1 1 3
<b>Compliance EN1158 (BCS2000/2)</b>	3 5 3-5 1 1 3
<b>Compliance EN1634</b>	Suitable for fire/smoke resistant doors
<b>EMC</b>	In compliance
<b>Maximum doors holding position</b>	Till 150° depending on doors
<b>Electromagnet adjustment</b>	Each leaf is adjustable separately in holding force and in angle
<b>Electromagnet working mode</b>	Fail secure mode
<b>Power supply</b>	Automatic dual-voltage 24-48Vdc
<b>Power consumption</b>	BCS2000/1 = 1.3W, BCS2000/2 = 2.5W
<b>Condition for the use</b>	Operational safety and comfort from -15°C to +40°C
<b>Slide channel dimensions</b>	BCS2000/1 : 42.6 x 36.5 x 700 (mm) BCS2000/2 : 42.6 x 36.5 x from 1250 to 1900 or 2500 (mm)
<b>Weight</b>	BCS2000/1 + IS65 = 3,3 kg; BCS2000/1 + IS315 = 4,6 kg BCS2000/2 + IS65 = 6,9 kg; BCS2000/2 + IS315 = 9,6 kg

**BCS2000**



Technical drawings available in the instruction manual

**Application:**

- Product hold doors open thanks to its electromagnet.
- In case of fire detection, fire alarm panel activate door closing by failure of power supply.
- People can evacuate because only door closer function stay active.

**Application field:**

- For single or double leaves
- For fire resistant door
- Installation on pull side (standard)
- Installation push side (limited)
- Door width max.: 1250mm
- Door weight max.: 120kg

**Versions/accessories:**

- 2 versions for single leaf depending on door width (up to 950 mm with door closer in force 3)
- 2 versions for double leaves depending on door width. These products are supplied in 3 parts, with a central part adjustable in length.

**Features:**

- Non-handed installation on pull side (single or double doors).
- Door closer with ISEO design and closing speed adjustable per valves.
- All devices are included in aesthetical slide channel.
- Automatic dual voltage 24-48 Vdc (standard equipment).
- Connection possible into both ends (aligned with hinges) with pluggable terminal block directly inside the product.
- Triple protection on electric card, against over-voltage, short circuit and current feedback.
- One electro magnet adjustable in force and in position per leaf.
- On top, there is a button with 2 functions:
  - Activate electromagnet at the first installation or after fire alarm (switch on/off function).
  - Close doors without pull on leaves.
- Door coordinator included for the version BCS2000/2.
- Contacts of position in free potential to know if the door is closed or hold open.
- Electronic delay action function can be activated.
- One LED to indicate product status information.
- Closing time adjustment steady and reliable.
- 2 years warranty.

Fire prevention  
Electrically powered  
free-swing door closer

**ISEO**<sup>®</sup>



**FL96 Evo**

Code

Single  
package

Multiple  
package

Min. ord.



**Can be fitted to all types of doors, up to 60 kg in weight and 950 mm in width.**

Door closer adjustments: closing speed, relocking.

**FL96 EVO**

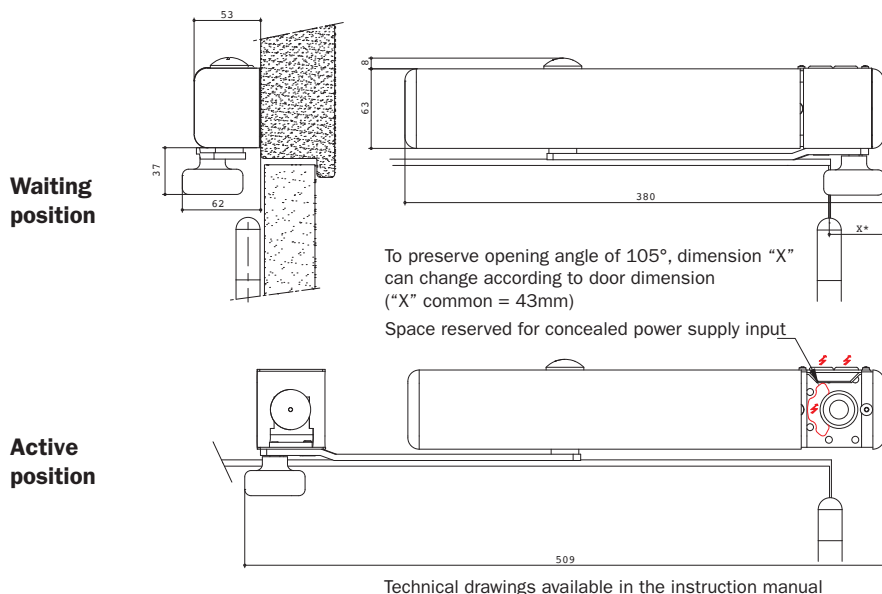
<b>FL96 evo dual voltage 24-48Vdc - fail secure mode</b>	<b>379964</b>	1	-	1
<b>FL96 evo dual voltage 24-48Vdc - fail secure mode with contact of position (door position: open/closed)</b>	<b>379965</b>	1	-	1
<b>Arm extension kit 2 positions</b>	<b>379970</b>	1	-	1

**TECHNICAL SPECIFICATIONS**

<b>Force of door closer</b>	3
<b>Valve 1 on door closer</b>	Thermo-constant closing speed
<b>Valve 2 on door closer</b>	Relocking
<b>Compliance EN1155:1997+A1:2002+AC:2006</b>	
<b>&amp; EN1154:1996+A1:2002+AC:2006</b>	3   8   3   1   1   0
<b>Compliance EN1634</b>	Suitable for fire/smoke resistant doors
<b>Opening angle</b>	105° (hinges side) or 160° with accessory
<b>Safety valve</b>	Included
<b>Type of arm</b>	Free arm
<b>Condition for the use</b>	Operational safety and comfort from -15°C to +40°C
<b>Dimensions</b>	380 x 63 x 53 (mm)
<b>Product weight</b>	3.36 kg



## FL96 Evo

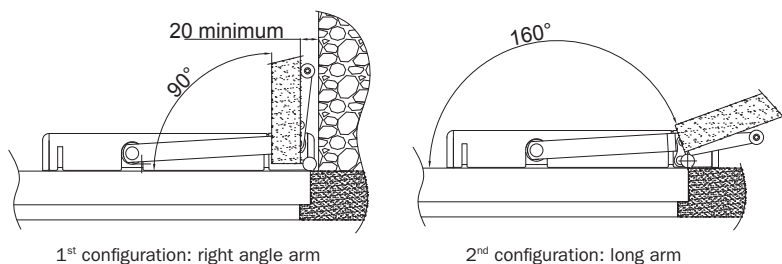


### Application:

- Device which leaves door totally free in normal condition.
- In case of fire detection, fire detector or fire alarm panel blocks the door by failure of power supply.
- The electromagnet releases the arm which, thanks to the wheel, closes completely the door whatever its position.

### Application field:

- For single action door supplied
- Non handed (in DIN right)
- For fire resistant door
- Product installation always on frame, in pull side
- Door width max.: 950mm
- Door weight max.: 60kg



### Versions/accessories:

- Version standard.
- Version with contact of position.
- Arm extension kit 2 positions: (pieces you need to add to standard arm of FL96 evo)
  - 1<sup>st</sup> configuration: right angled arm, useful when there is a wall perpendicular and very close to the door.
  - 2<sup>nd</sup> configuration: long arm, useful when you want to increase maximum opening angle to 160°.

### Features:

- Full cover in waiting position. Brushed aluminium finish.
- Closing speed adjustable by valves.
- Closing time adjustment steady and reliable.
- 2 possibilities for power supply input.: either on the top or directly inside.
- Automatic electronic card with dual voltage 24-48Vdc including connection with pluggable terminal block directly inside the product.
- Concealed fixing.
- Non-handed, even with both configuration of arm extension kit 2 positions.
- Contact of position in free potential to know if the door is closed and if the arm is always in waiting position (C, NO, NC).
- 2 years warranty.



**SL2000** adjustable

Code



**Colour:**

Silver



#### ANTI-VANDALISM

Supplied with 2 door closers

#### SL2000

SL2000 with door closer IS65 force 3 (For leaves width of 950 mm maximum) 379883N3

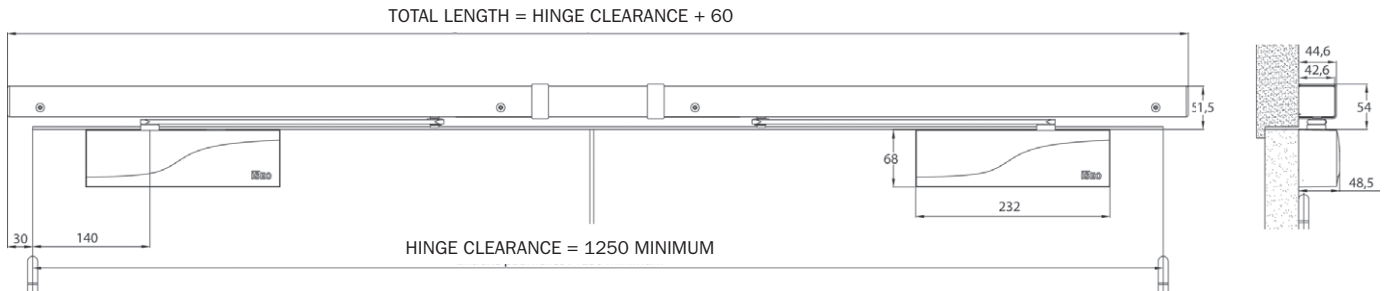
SL2000 with door closer IS115 force 2-4 (For leaves width of 1100 mm maximum) 379883N4

SL2000 with door closer IS315 force 3-5 (For leaves width of 1250 mm maximum) 379883N5

#### TECHNICAL SPECIFICATIONS

<b>Force of door closer</b>	Depending on article, either force 3, force 2-4 or force 3-5
<b>Valve 1 (on door closer)</b>	Thermo-constant closing speed
<b>Valve 2 (on door closer)</b>	Relocking
<b>Valve 3 (on door closer)</b>	Backcheck (only with IS115 and IS315)
<b>Valve 4 (on door closer)</b>	Delayed closing action (only with IS315)
<b>Compliance EN 1154</b>	4   8   3   1   1   3   or 4   8   2 / 4   1   1   3   or 4   8   3 / 5   1   1   3
<b>Compliance EN 1158</b>	3   5   3 / 5   1   1   3
<b>Compliance EN1634</b>	Suitable for fire/smoke doors
<b>Condition for the use</b>	Operational safety and comfort from -15°C to +40°C
<b>Slide channel dimensions</b>	SL2000 : 42.6 x 36.5 x 1900 ou 2200 ou 2500 (mm)
<b>Hinge clearance minimum</b>	1250 (mm)
<b>Finish</b>	Silver

## SL2000 adjustable



### Application:

- When both leaves are open, active leaf will be stopped around 30° during the closing step. The active leaf will start again when passive leaf will be completely closed.
- To ensure the good closing order in all case, the addition of one DS90 is strongly advised.

### Application field:

- For double leaves with single action
- For fire resistant door
- Installation on pull side
- Door width max.: 1250 mm
- Door weight max.: 120 kg.

### Features:

- Non-handed installation on pull side
- Middle part is adjustable according to hinge clearance dimension. (into the limit of door closer force).
- Door closer with ISEO design and closing speed adjustable per valves.
- All devices are included in aesthetical slide channel.
- Especially recommended for public building (school, hospital, office..)
- Closing time adjustment steady and reliable.
- 2 years warranty.



Code



**SP81**



**Finishes:**

Silver painted or nickelled

**Non-handed**

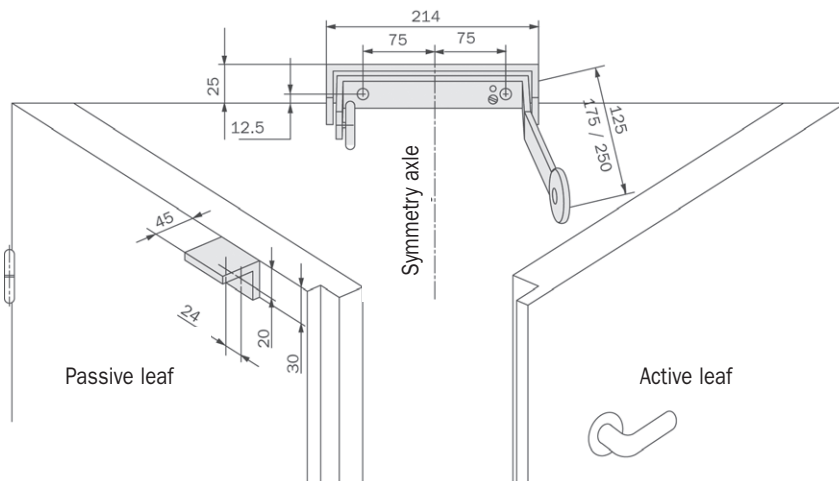
For double leaves and suitable on fire door, it ensures active leaf is still closed after passive leaf.

**SP 81**

SP 81 painted, long arm length of 125 mm	<b>387803</b>
SP 81 nickelled, long arm length of 125 mm	<b>387804</b>
SP 81 big model, painted, long arm length of 175 mm	<b>387807</b>
SP 81 big model, nickelled, long arm length of 175 mm	<b>387808</b>
SP 81 very big model, painted, long arm length of 250 mm	<b>387805</b>
SP 81 very big model, nickelled, long arm length of 250 mm	<b>387809</b>
<b>DS90 Security device (anti-mishandling) mandatory for EC marking</b>	<b>387815</b>

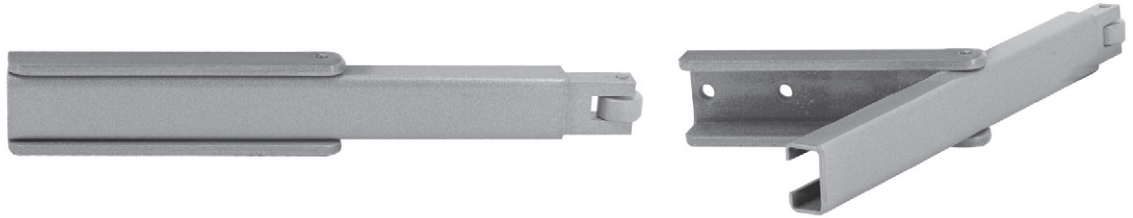
**TECHNICAL SPECIFICATIONS**

<b>Compatibility</b>	All door closer with force 3 or 4
<b>Compliance EN 1158</b>	3   5   4 / 3   1   1   3
<b>Opening</b>	Not influence the opening angle of door closer
<b>Type</b>	In U shape with 2 wheels which ensure the correct sequence of door closing without any door damage.
<b>Installation</b>	Pull side
<b>Long arm dimensions</b>	387803 = 125 mm - 387807 = 175 mm - 387805 = 250 mm 387804 = 125 mm - 387808 = 175 mm - 387809 = 250 mm
<b>Product weight</b>	387803 = 0,520 kg - 387807 = 0,560 kg - 387805 = 0,640 kg 387804 = 0,520 kg - 387808 = 0,570 kg - 387809 = 0,650 kg
<b>Wheel height position</b>	Adjustable
<b>Wheel of long arm lower position</b>	125 mm = 10 mm - 175 mm = 20 mm - 250 mm = 36 mm





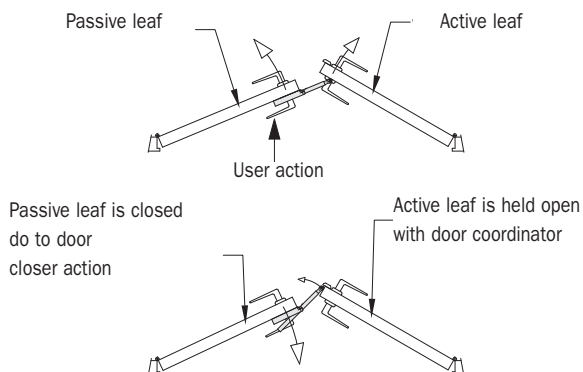
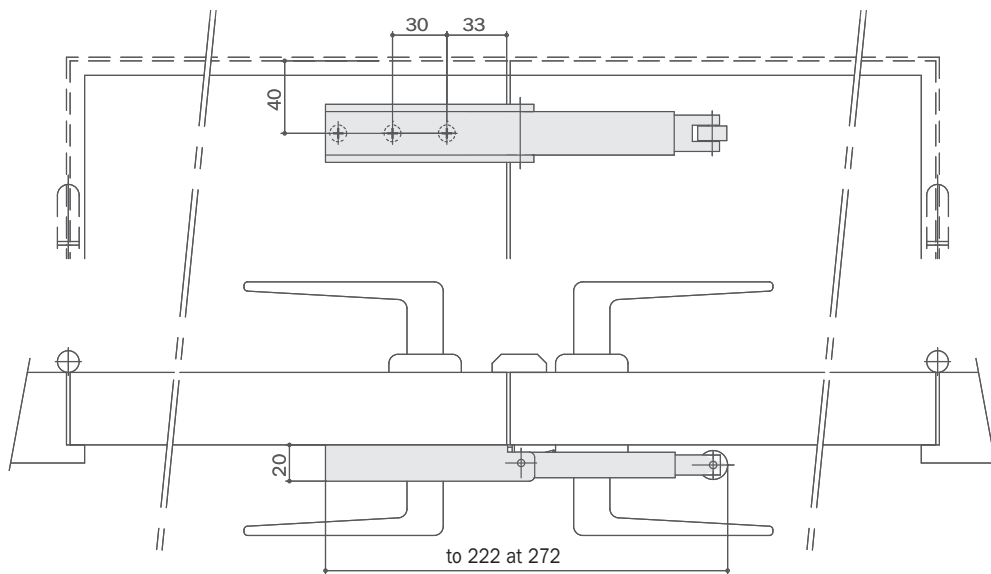
**DS90 for SL2000 and SP81**



**DS90**

**DS90 Security device (anti-mishandling) mandatory for EC marking**

**387815**



**Non-handed**

- Anti-mishandling device.
- Mandatory on fire door where door coordinator is installed.
- This accessory ensure the good closing order in all case.



**IS315**

Code

Single  
package

Multiple  
package

Min. ord.



**Colours:**

Silver	
White	
Black	



**TOP QUALITY**

Can be fitted to all types of doors, up to **120 kg** in weight and **1250 mm** in width.

Adjustment: closing speed, relocking or silent closing, backcheck, delayed closing action.

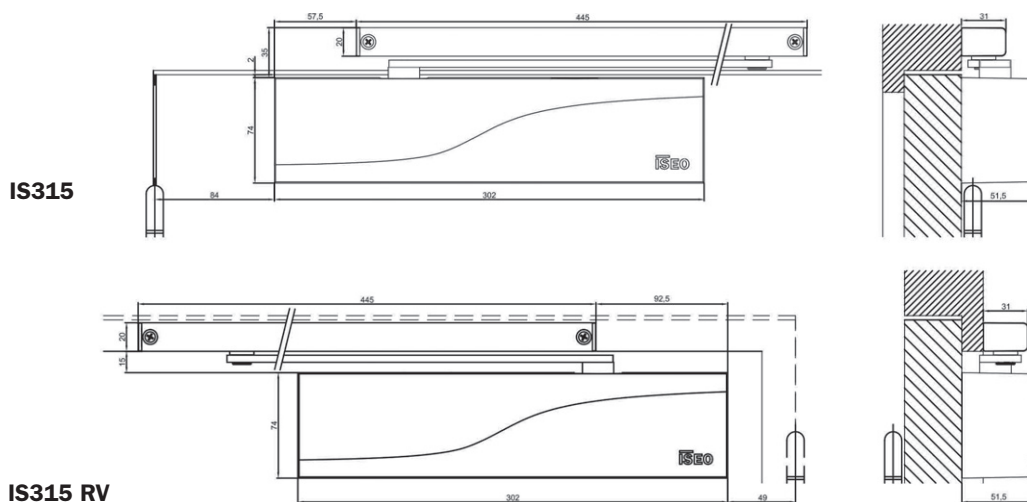
**IS315 SLIDING ARM**

IS315 force EN 3-5 - finish: silver	<b>377150033</b>	1	-	1
IS315 force EN 3-5 - finish: white RAL9016	<b>377150034</b>	1	-	1
IS315 force EN 3-5 - finish: black RAL9005	<b>377150035</b>	1	-	1
IS315 RV force EN 3-5 - finish: silver	<b>377150133</b>	1	-	1

**TECHNICAL SPECIFICATIONS**

Force	3 - 5
Valve 1	Thermo-constant closing speed
Valve 2	Relocking
Valve 3	Backcheck (BC)
Valve 4	Delayed closing action between 140° and 75° (DC)
Force adjustment	Using BTR screw
Compliance EN1154	4   8   5 / 3   1   1   3
Compliance EN1634	Suitable for fire/smoke resistant doors
Opening angle	180° (hinges side)
Safety valve	Included
Type of arm	Sliding arm
Condition for the use	Operational safety and comfort from -15°C to +40°C
Dimensions	302 x 74 x 51,5 (mm)
Product weight	3,4 kg

## IS315



Technical drawings available in the instruction manual

### Application field:

- For internal doors and doors opening outwards
- For single action door
- Non-handed for mounting on door or on frame (right or left opening)
- For fire resistance door and smoke proof door
- For every type of door set material (wood, aluminium, steel, etc.)
- Door width max. 1250 mm
- Door weight max. 120 kg.

### Versions/accessories:

- Standard colours: silver, white and black.
- IS315 RV (silver only) door leaf installation opposite hinge side.
- Accessories:
  - Cushioned limit stay: CLS 370032000 (only one item for every slide channel of our range IS...).
  - Adjustable hold open device: HOD 370031000 (only one item for every slide channel of our range IS...).
  - Mounting plate.

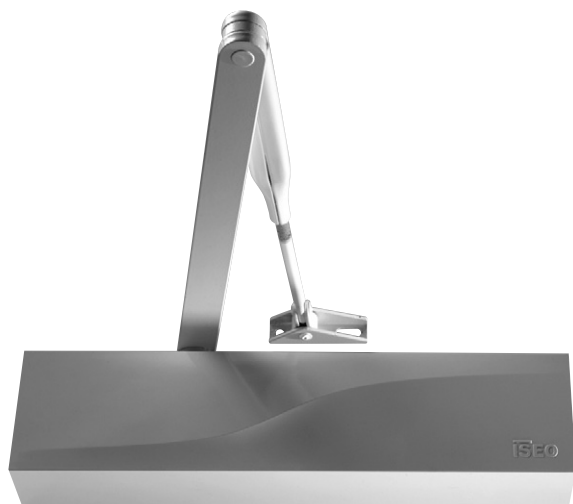
### Features:

- Full cover with new design ISEO protecting every adjustment valves.
- Closing and opening speed adjustable by valves present on the front of the device allowing an easy adjustment.
- Door closer with delayed closing action as standard, adjustable by valve, to allow a delayed closing time as by customer needs. Useful for buildings where a longer passage through the doorway is required (for persons and goods).
- Door closer with backcheck as standard, adjustable by valve, for outwards opening doors ensuring a controlled opening to protect door and wall against wind effect.
- Concealed fixing.
- Low resistance during door opening.
- Anti-vandalism arm.
- Closing time adjustment steady and reliable.
- 2 years warranty.



**IS310**

Code  
Single package  
Multiple package  
Min. ord.



**Colours:**

- Silver
- White
- Black



**TOP QUALITY**

**Can be fitted to all types of doors, up to 160 kg in weight and 1400 mm in width.**

Adjustment: closing speed, relocking or silent closing, backcheck, delayed closing action.

**IS310 STANDARD ARM**

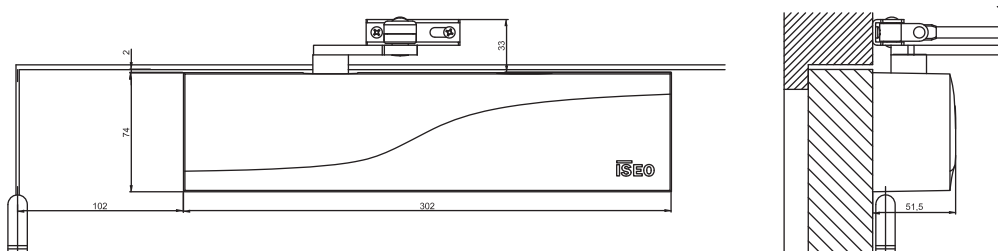
IS310 force EN 3-6 - finish: silver	<b>376100033</b>	1	-	1
IS310 force EN 3-6 - finish: white RAL9016	<b>376100034</b>	1	-	1
IS310 force EN 3-6 - finish: black RAL9005	<b>376100035</b>	1	-	1

**TECHNICAL SPECIFICATIONS**

<b>Force</b>	3 - 6
<b>Valve 1</b>	Thermo-constant closing speed
<b>Valve 2</b>	Relocking
<b>Valve 3</b>	Backcheck (BC)
<b>Valve 4</b>	Delayed closing action between 140° and 75° (DC)
<b>Force adjustment</b>	Using BTR screw
<b>Compliance EN1154</b>	4   8   6 - 3   1   1   3
<b>Compliance EN1634</b>	Suitable for fire/smoke resistant doors
<b>Opening angle</b>	180°
<b>Safety valve</b>	Included
<b>Type of arm</b>	Standard arm
<b>Condition for the use</b>	Operational safety and comfort from -15°C to +40°C
<b>Dimensions</b>	302 x 74 x 51,5 (mm)
<b>Product weight</b>	2,75 kg



## IS310



Technical drawings available in the instruction manual

### Application field:

- For internal doors and doors opening outwards
- For single action door
- Non-handed for mounting on door or on frame (right or left opening)
- For fire resistance door and smoke proof door
- For every type of door set material (wood, aluminium, steel, etc.)
- Door width max. 1400 mm
- Door weight max. 160 kg.

### Versions/accessories:

- Standard colours: silver, white and black.
- Accessories:
  - Parallel arm bracket (PAB) installation opposite hinges with the body on the door. Equip with a standard door closer. The force changes from 2 to 5.
  - Mounting plate.

### Features:

- Full cover with new design ISEO protecting every adjustment valves.
- Closing and opening speed adjustable by valves present on the front of the device allowing an easy adjustment.
- Door closer with delayed closing action as standard, adjustable by valve, to allow a delayed closing time as by customer needs. Useful for buildings where a longer passage through the doorway is required (for persons and goods).
- Door closer with backcheck as standard, adjustable by valve, for outwards opening doors ensuring a controlled opening to protect door and wall against wind effect.
- Concealed fixing.
- Low resistance during door opening.
- Closing time adjustment steady and reliable.
- 2 years warranty.



**IS155C**

**NEW**

Code

Single  
package

Multiple  
package

Min. ord.



**Can be fitted to all types of doors, up to 80 kg in weight and 1100 mm in width.**

Adjustment: closing speed, relocking or silent closing, backcheck.

**IS155C SLIDING ARM**

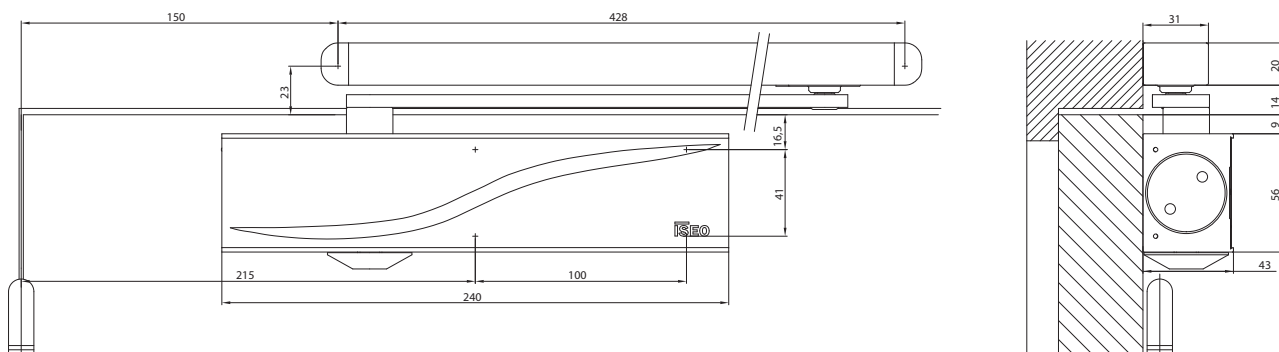
IS155C force EN 2-4 - finish: silver	<b>37K150013</b>	1	-	1
IS155C force EN 2-4 - finish: white RAL9016	<b>37K150014</b>	1	-	1
IS155C force EN 2-4 - finish: black RAL9005	<b>37K150015</b>	1	-	1

**TECHNICAL SPECIFICATIONS**

<b>Force</b>	2 - 4
<b>Technology</b>	Cam
<b>Valve 1</b>	Thermo-constant closing speed
<b>Valve 2</b>	Relocking
<b>Valve 3</b>	Backcheck (BC)
<b>Valve 4</b>	-
<b>Force adjustment</b>	Using BTR screw
<b>Compliance EN1154</b>	4   8   4 - 2   1   1   3
<b>Compliance EN1634</b>	Suitable for fire/smoke resistant doors
<b>Opening angle</b>	180° (hinges side)
<b>Safety valve</b>	Included
<b>Type of arm</b>	Sliding arm
<b>Condition for the use</b>	Operational safety and comfort from -15°C to +40°C
<b>Dimensions</b>	240x56x43 (mm)
<b>Product weight</b>	2,960 kg

## IS155C

**NEW**



Technical drawings available in the instruction manual

### Application field:

- For internal doors and doors opening outwards
- For single action doors
- Non-handed for mounting on door or on frame (right or left opening)
- For fire resistance doors and smoke proof doors
- For every type of door set material (wood, alu, steel, etc.)...
- Door width max. 1100 mm
- Door weight max. 80 kg.
- For doors with minimal opening effort.

### Versions/accessories:

- Standard colours: silver, white and black.
- Accessories:
  - Cushioned limit stay: CLS 370032000 (only one item for every slide channel of our range IS...).
  - Adjustable hold open device: HOD 370031000 (only one item for every slide channel of our range IS...).

### Features:

- Closing and opening speed adjustable by valves present on the front of the device allowing an easy adjustment.
- Door closer with backcheck as standard, adjustable by valve, for outwards opening doors ensuring a controlled opening to protect door and wall against wind effect.
- Concealed fixing.
- Cam technology offering extreme flexibility when opened.
- Anti-vandalism arm.
- Closing time adjustment steady and reliable.
- 2 years warranty.



**IS115**

Code

Single  
package

Multiple  
package

Min. ord.



**Colours:**

Silver	
White	
Black	



**Can be fitted to all types of doors, up to 100 kg in weight and 1100 mm in width.**  
Adjustment: closing speed, relocking or silent closing, backcheck.

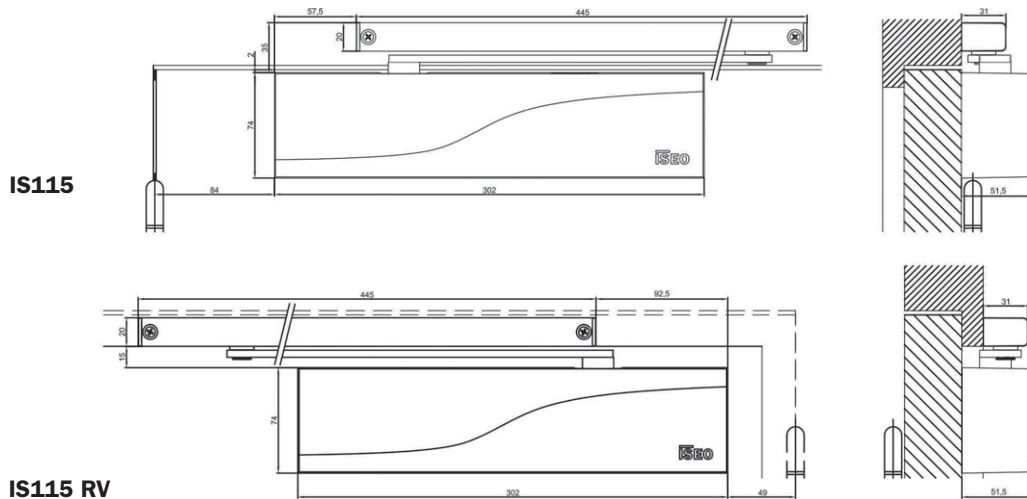
**IS115 SLIDING ARM**

IS115 force EN 2-4 - finish: silver	<b>375150013</b>	1	-	1
IS115 force EN 2-4 - finish: white RAL9016	<b>375150014</b>	1	-	1
IS115 force EN 2-4 - finish: black RAL9005	<b>375150015</b>	1	-	1
IS115 RV force EN 2-4 - finish: silver	<b>375150113</b>	1	-	1

**TECHNICAL SPECIFICATIONS**

Force	2 - 4
Valve 1	Thermo-constant closing speed
Valve 2	Relocking
Valve 3	Backcheck (BC)
Valve 4	-
Force adjustment	Using BTR screw
Compliance EN1154	4   8   4 - 2   1   1   3
Compliance EN1634	Suitable for fire/smoke resistant doors
Opening angle	180° (hinges side)
Safety valve	Included
Type of arm	Sliding arm
Condition for the use	Operational safety and comfort from -15°C to +40°C
Dimensions	302 x 74 x 51,5 (mm)
Product weight	3,3 kg

## IS115



Technical drawings available in the instruction manual

### Application field:

- For internal doors and doors opening outwards
- For single action doors
- Non-handed for mounting on door or on frame (right or left opening)
- For fire resistance doors and smoke proof doors
- For every type of door set material (wood, alu, steel, etc.)...
- Door width max. 1100 mm
- Door weight max. 100 kg.

### Versions/accessories:

- Standard colours: silver, white and black.
- IS115 RV (silver only) door leaf installation opposite hinge side.
- Accessories:
  - Cushioned limit stay: CLS 370032000 (only one item for every slide channel of our range IS...).
  - Adjustable hold open device: HOD 370031000 (only one item for every slide channel of our range IS...).
  - Mounting plate.

### Features:

- Full cover with new design ISEO protecting every adjustment valves.
- Closing and opening speed adjustable by valves present on the front of the device allowing an easy adjustment.
- Door closer with backcheck as standard, adjustable by valve, for outwards opening doors ensuring a controlled opening to protect door and wall against wind effect.
- Concealed fixing.
- Low resistance during door opening.
- Anti-vandalism arm.
- Closing time adjustment steady and reliable.
- 2 years warranty.



**IS110**

Code  
Single package  
Multiple package  
Min. ord.



**Colours:**

- Silver
- White
- Black



**Can be fitted to all types of doors, up to 100 kg in weight and 1100 mm in width.**  
Adjustment: closing speed, relocking or silent closing, backcheck.

**IS110 STANDARD ARM**

IS110 force EN 2-4 - finish: silver	<b>374100013</b>	1	-	1
IS110 force EN 2-4 - finish: white RAL9016	<b>374100014</b>	1	-	1
IS110 force EN 2-4 - finish: black RAL9005	<b>374100015</b>	1	-	1
		1	-	1

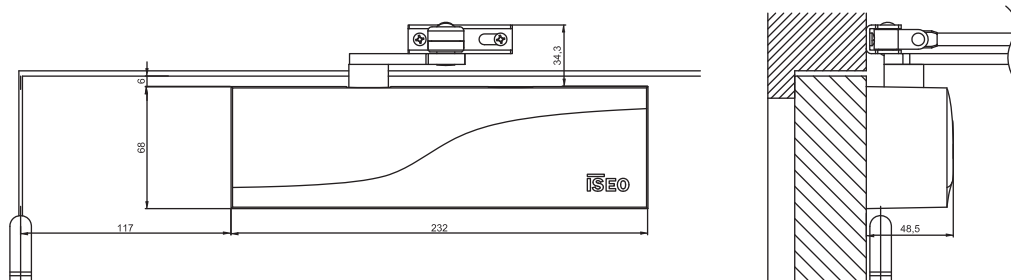
**IS110 HOLD OPEN ARM**

IS110 force EN 2-4 - finish: silver	<b>374101013</b>	1	-	1
IS110 force EN 2-4 - finish: white RAL9016	<b>374101014</b>	1	-	1
IS110 force EN 2-4 - finish: black RAL9005	<b>374101015</b>	1	-	1

**TECHNICAL SPECIFICATIONS**

Force	2 - 4
Valve 1	Thermo-constant closing speed
Valve 2	Relocking
Valve 3	Backcheck (BC)
Valve 4	-
Force adjustment	Using BTR screw
Compliance EN1154	4   8   4 - 2   1   1   3
Compliance EN1634	Suitable for fire/smoke resistant doors
Opening angle	180°
Safety valve	Included
Type of arm	Standard arm
Condition for the use	Operational safety and comfort from -15°C to +40°C
Dimensions	232 x 68 x 48,5 (mm)
Product weight	1,87 kg

## IS110



### Application field:

- For internal doors and doors opening outwards
- For single action doors
- Non-handed for mounting on door or on frame (right or left opening)
- For fire resistance doors and smoke proof doors
- For every type of door set material (wood, aluminium, steel, etc.)...
- Door width max. 1100 mm
- Door weight max. 100 kg.

### Versions/accessories:

- Standard colours: silver, white and black.
- Version with standard arm and hold open arm.
- Accessories:
  - Parallel arm bracket (PAB) installation opposite hinges with the body on the door. Equip with a standard door closer. The force change from 1 to 3.
  - Mounting plate.

### Features:

- Full cover with new design ISEO protecting every adjustment valves.
- Closing and opening speed adjustable by valves present on the front of the device allowing an easy adjustment.
- Door closer with backcheck as standard, adjustable by valve, for outwards opening doors ensuring a controlled opening to protect door and wall against wind effect.
- Concealed fixing.
- Low resistance during door opening.
- Closing time adjustment steady and reliable.
- 2 years warranty.



**IS65**

Code

Single  
package

Multiple  
package

Min. ord.



**Colours:**

Silver	
White	
Black	



**Can be fitted to all types of doors, up to 80 kg in weight and 950 mm in width.**  
Adjustment: closing speed, relocking or silent closing.

**IS65 SLIDING ARM**

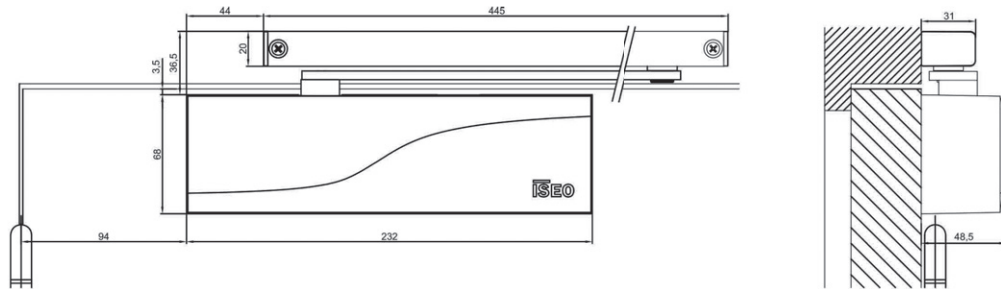
IS65 force EN 3 - finish: silver	<b>373150003</b>	1	-	1
IS65 force EN 3 - finish: white RAL9016	<b>373150004</b>	1	-	1
IS65 force EN 3 - finish: black RAL9005	<b>373150005</b>	1	-	1

**TECHNICAL SPECIFICATIONS**

Force	3
Valve 1	Thermo-constant closing speed
Valve 2	Relocking
Valve 3	-
Valve 4	-
Force adjustment	-
Compliance EN1154	4   8   3   1   1   3
Compliance EN1634	Suitable for fire/smoke resistant doors
Opening angle	180° (hinges side)
Safety valve	Included
Type of arm	Sliding arm
Condition for the use	Operational safety and comfort from -15°C to +40°C
Dimensions	232 x 68 x 48,5 (mm)
Product weight	2,07 kg



## IS65



Technical drawings available in the instruction manual

### Application field:

- For internal door.
- For single action door
- Non-handed for mounting on door or on frame (right or left opening)
- For fire resistance door and smoke proof door
- For every type of door set material (wood, aluminium, steel, etc.)
- Door width max. 950 mm
- Door weight max. 80 kg.

### Versions/accessories:

- Standard colours: silver, white and black.
- Accessories:
  - Cushioned limit stay: CLS 370032000  
(only one item for every slide channel of our range).
  - Adjustable hold open device: HOD 370031000  
(only one item for every slide channel of our range).
  - Mounting plate.

### Features:

- Full cover with new design ISEO protecting every adjustment valves.
- Closing speed adjustable by valves present on the front of the device allowing an easy adjustment.
- Concealed fixing.
- Anti-vandalism arm.
- Closing time adjustment steady and reliable.
- 2 years warranty.



**IS60**

Code  
Single package  
Multiple package  
Min. ord.



**Colours:**

- Silver
- White
- Black



**Can be fitted to all types of doors, up to 100 kg in weight and 1100 mm in width.**

Adjustment: closing speed, relocking or silent closing.

**IS60 STANDARD ARM**

IS60 force EN 2/3/4 - finish: silver	372100003	1	-	1
IS60 force EN 2/3/4 - finish: white RAL9016	372100004	1	-	1
IS60 force EN 2/3/4 - finish: black RAL9005	372100005	1	-	1

**IS60 HOLD OPEN ARM**

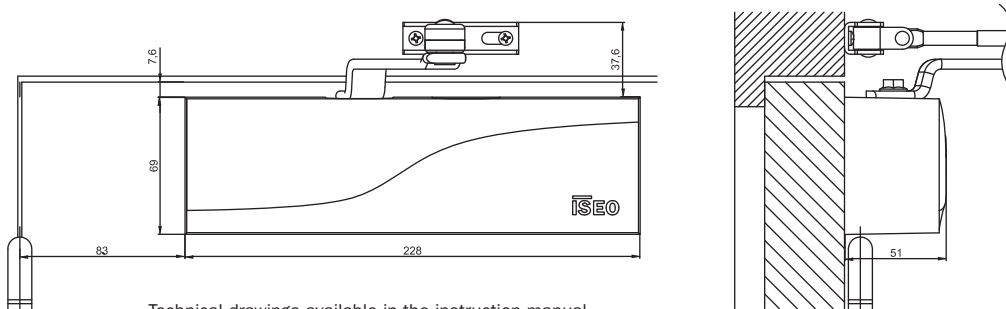
IS60 force EN 2/3/4 - finish: silver	372101003	1	-	1
IS60 force EN 2/3/4 - finish: white RAL9016	372101004	1	-	1
IS60 force EN 2/3/4 - finish: black RAL9005	372101005	1	-	1

**TECHNICAL SPECIFICATIONS**

Force	2/3/4
Valve 1	Thermo-constant closing speed
Valve 2	Relocking
Valve 3	-
Valve 4	-
Force adjustment	By positioning
Compliance EN1154	3   8   4/3   1   1   3
Compliance EN1634	Suitable for fire resistance door, flame proof door
Opening angle	180° (force 2 and 3 only)
Safety valve	-
Type of arm	Standard arm
Condition for the use	Operational safety and comfort from -15°C to +40°C
Dimensions	228 x 69 x 51 (mm)
Product weight	1,55 kg

## IS60

---



### Application field:

- For internal door.
- For single action door
- Non-handed for mounting on door or on frame (right or left opening)
- For fire resistance door and smoke proof door
- For every type of door set material (wood, aluminium, steel, etc.)
- Door width max. 1100 mm
- Door weight max. 100 kg.

### Versions/accessories:

- Standard colours: silver, white and black.
- Version with standard arm and hold open arm.
- Accessories:
  - Mounting plate.

### Features:

- Full cover with new design ISEO protecting every adjustment valves.
- Concealed fixing.
- Low resistance during door opening.
- Closing time adjustment steady and reliable.
- 2 years warranty.



**IS20**

Code  
Single package  
Multiple package  
Min. ord.



**Colours:**

- Silver
- White
- Black



**Can be fitted to all types of doors, up to 80 kg in weight and 950 mm in width.**

Adjustment: closing speed, relocking or silent closing.

**IS20 STANDARD ARM**

IS20 force EN 2/3 - finish: silver	<b>371100003</b>	1	-	1
IS20 force EN 2/3 - finish: white RAL9016	<b>371100004</b>	1	-	1
IS20 force EN 2/3 - finish: black RAL9005	<b>371100005</b>	1	-	1

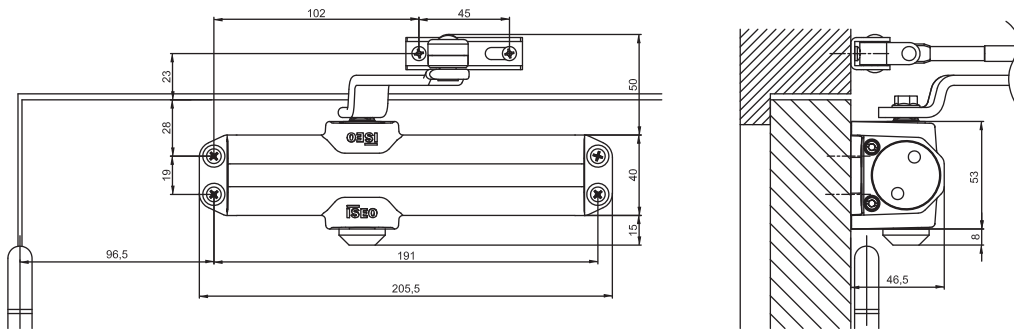
**IS20 HOLD OPEN ARM**

IS20 force EN 2/3 - finish: silver	<b>371101003</b>	1	-	1
IS20 force EN 2/3 - finish: white RAL9016	<b>371101004</b>	1	-	1
IS20 force EN 2/3 - finish: black RAL9005	<b>371101005</b>	1	-	1

**TECHNICAL SPECIFICATIONS**

Force	2/3
Valve 1	Thermo-constant closing speed
Valve 2	Relocking
Valve 3	-
Valve 4	-
Force adjustment	By positioning
Compliance UL listed	Suitable for fire resistance door, flame proof door (outside Europe)
Opening angle	180°
Safety valve	-
Type of arm	Standard arm
Condition for the use	Operational safety and comfort from -15°C to +40°C
Dimensions	205 x 53 x 46 (mm)
Product weight	1,33 kg

## IS20



Technical drawings available in the instruction manual

### Application field:

- For internal doors.
- For single action door
- Non-handed for mounting on door or on frame (right or left opening)
- For fire resistance door and smoke proof door
- For every type of door set (wood, aluminium, steel etc.)
- Door width max. 950 mm
- Door weight max. 80 kg.

### Versions/accessories:

- Standard colours: silver, white and black.
- Version with standard arm and hold open arm.

### Features:

- Softness opening thanks to arm moving.
- Closing time adjustment steady and reliable.
- 2 years warranty.

	Code	Single package	Multiple package	Min. ord.
<b>Accessories</b>				
<b>Accessories for sliding arm</b>				
Cushioned limit stay: CLS	370032000	1	-	1
Adjustable hold open device: HOD	370031000	1	-	1
		1	-	1
<b>Accessories for standard arm</b>				
Parallel arm bracket (PAB) for IS310 and IS110 - finish: silver	370020003	1	-	1
Parallel arm bracket (PAB) for IS310 and IS110 - finish: white	370020004	1	-	1
Parallel arm bracket (PAB) for IS310 and IS110 - finish: black	370020005	1	-	1
<b>Mounting plate</b>				
Mounting plate for IS315-IS310-IS115 - finish: silver	376010003	1	-	1
Mounting plate for IS110-IS65 - finish: silver	374010003	1	-	1
Mounting plate for IS60 - finish: silver	372010003	1	-	1





**Iseo Serrature** s.p.a.  
Via San Girolamo, 13  
25055 Pisogne BS, Italy  
Tel. +39 0364 8821  
Fax +39 0364 882263  
iseo@iseo.com

**iseo.com**